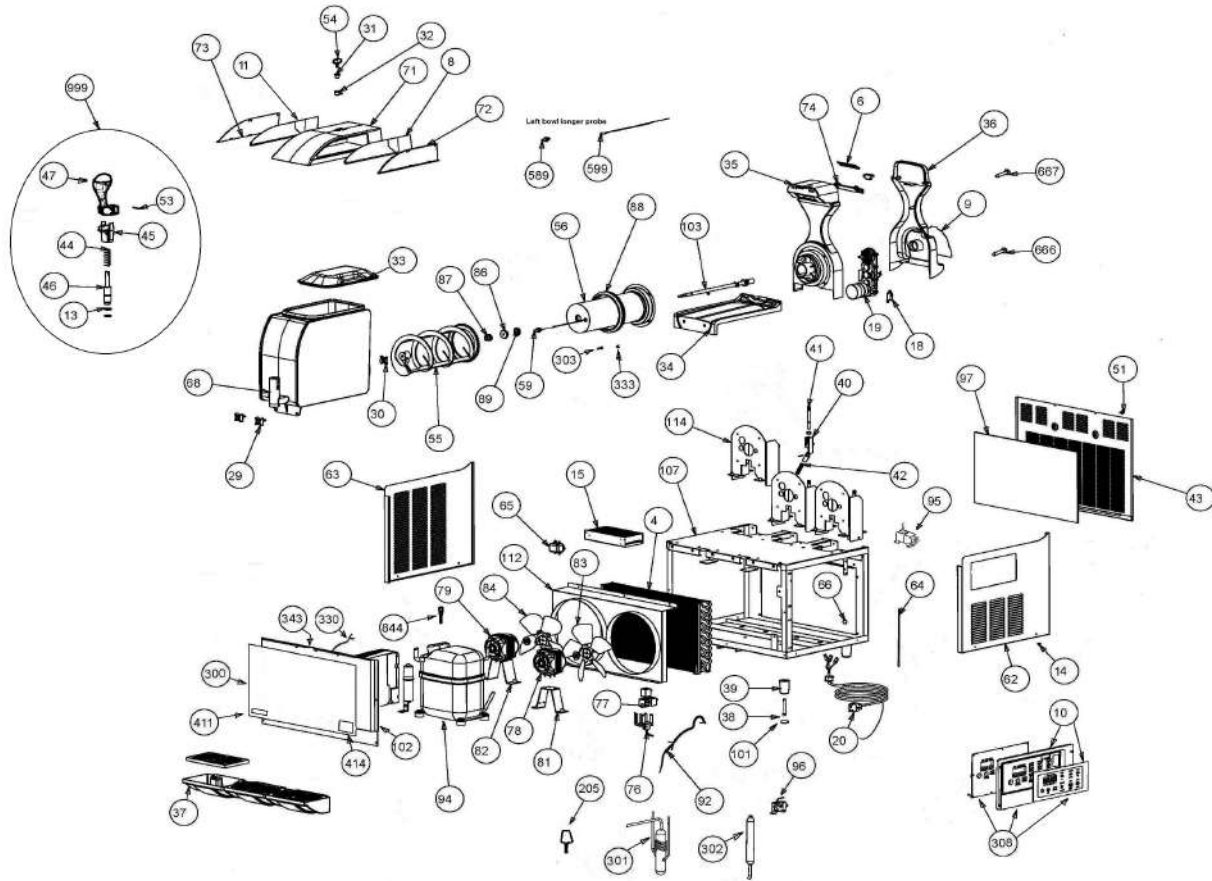


563433-560547-560537-562500

I-PRO3E 115/60 ETL with LED PANEL



Position @	Part #	DESCRIPTION
0	03.BC0005.001	PLASTIC BAG
0	03.IP0007.001	I-PRO 3 PROTECTION
0	03.IP0009.001	I-PRO 3 PALLET
0	03.IP0011.001	I-PRO 3 SIDE PANELS PROTECTION
0	03.IP0025.001	I-PRO3 NEUTRAL PACKAGING
0	03.ZZ0004.001	PLURIBALL BAG
0	04.IP0373.001	"DANGER-ELECTRICAL SHOCK" STICKER
0	04.ZZ0597.001	LUBRICANT TUBE
0	02.IP0125.001	ETL FOOT
4	04.IP0018.001	CONDENSER
6	04.IP0006.002	I-PRO LED LAMP WITH WIRING
8	04.IP0168.001	LID MERCHANDISING, RIGHT
9	04.IP0166.001	I-PRO BACK MERCHANDISING
10	04.IP0223.002	CONTROL PANEL
11	04.IP0167.001	LID MERCHANDISING, LEFT
13	04.BA0026.TPS	15,47X3,53 SILICONE O-RING
14	ZZ.VI0005.001	3,5X6,5 SCREW
15	04.GT1033.001	POWER SUPPLIER
18	04.BA0257.001	SAFETY MICRO SWITCH
19	05.BA0203.002	I-PRO BRUSHLESS GEAR MOTOR
20	04.ZZ0596.001	15AMP ETL CABLE
29	02.IP0084.02N	BLACK FIXING KNOB
30	02.BA0034.001	AUGER FIXING KNOB
31	02.GT0024.001	SECURITY SYSTEM BODY
32	02.GT0025.001	SECURITY LEVER

33	02.IP0017.001	I-PRO TRANSPARENT COVER
34	02.IP0022.01N	I-PRO BLACK DRIP PLATE
35	02.IP0020.01N	I-PRO BLACK EVAPORATOR SUPPORT
36	02.IP0021.01N	I-PRO BLACK EVAPORATOR SUPPORT COVER
37	02.IP0019.BLK	BLACK DRIP TRAY AND GRATE
38	ZZ.VI0002.001	8x45 SCREW
39	02.AA0024.001	FOOT
40	04.IP0027.001	COMPLETE SPRING HOLDER
41	04.IP0049.001	CONSISTENCY ADJUSTMENT SCREW
42	04.IP0101.001	CONSISTENCY SPRING
43	02.IP0072.02N	BACK PANEL
44	04.BA0021.001	TAP SPRING
45	02.BA0002.01N	BLACK TAP LEVER SUPPORT
46	02.BA0004.001	BODY TAP
47	02.BB0101.001	TAP HANDLE WITH HOLE
51	04.BP0026.001	BACK SIDE PANEL KNOB
53	ZZ.VA0004.001	INOX PLUG 4X30
54	02.BA0061.001	LOCKABLE LID KEY
55	02.BA0266.001	SCRAPING SPIRAL
56	02.IP0035.002	I-PRO 3 COMPLETE EVAPORATOR
59	02.IP0086.001	NTC 10K PROBE COMPLETE
62	02.IP0002.01N	RIGHT SIDE PANEL - BLACK
63	02.IP0003.02N	I-PRO BLACK LEFT SIDE PANEL
64	04.EC0025.001	NTC 10K PROBE
65	04.IP0047.001	ELECTRIC FILTER
68	02.IP0016.002	I-PRO COMPLETE BOWL
71	02.IP0018.01N	I-PRO BLACK SECURITY COVER
72	02.IP0023.001	MERCHANDISING HOLDER, RIGHT
73	02.IP0024.001	MERCHANDISING HOLDER, LEFT
74	02.IP0025.001	I-PRO LED HOLDER
76	04.BC0052/110	3 BARREL 115/60 COMPLETE ELECTROVALVE
77	04.ZZ0177.001	115/60 COIL
78	04.BB0016/110	82UL-3016 FAN MOTOR
79	04.BC0002/110	FAN MOTOR 25 WATT 110/60
81	02.BB0084.001	FAN MOTOR SUPPORT
82	02.BC0253.001	FAN SUPPORT
83	04.GT1026.001	FAN MOTOR
84	04.BB0003.001	FAN
86	05.BA0100.002	HARD BUSHING WITH SEALING RING
87	02.BA0292.001	NEW SUCTION GASKET
88	02.BA0009.001	REAR BOWL GASKET
89	02.GC0019.001	RULON BUSHING GASKET
92	08.IP0003/115	WIRING
94	04.MP0001/115	COMPRESSOR NT2180GK-G CSR V.115V 60
95	04.BC0050.001	CUT-OUT PRESSURE SWITCH
96	04.BC0049.001	SECONDARY FAN PRESSURE SWITCH
97	04.EC0010.001	CONDENSER FILTER
101	04.ZZ0023.001	PADDING FEET
102	02.IP0092.001	I-PRO 2 PLASTIC FRONT PANEL
103	05.IP0006.002	COMPLETE SHAFT DRIVE
107	02.IP0011.002	I-PRO 3 FRAME
112	02.IP0014.001	I-PRO 3 CONVEYOR
114	02.IP0030.001	EVAPORATOR SUPPORT
205	04.EC0016.001	FUSE PLUG
300	04.IP0231.001	FRONT SIDE MERCHANDIZING I-PRO 3
301	02.BC0203.001	BOILER
302	04.ZZ0307.001	FILTER
303	ZZ.VI0132.001	SCREW
308	04.IP0222.002	ELECTRONIC BOARD + CONTROL PANEL I-
330	08.IP0032.002	I-PRO 3E LED PANEL WIRING
333	ZZ.DA0020.001	NUT
343	02.IP0094.001	WHITE CARTER FOR I-PRO 3 FRONTAL
411	04.IP0368.001	"PROPOSITION 65" STICKER
414	04.GC0227.001	CRATHCO STICKER
589	02.NI0006.001	NINA1-2/IPRO3 TEMP.PROBE SEAT
599	04.IP0046.001	THIRD BOWL TEMPERATURE PROBE
666	ZZ.VI0136.001	SCREW
667	ZZ.VI0140.001	SCREW
844	04.ZZ0047.001	REFILL VALVE