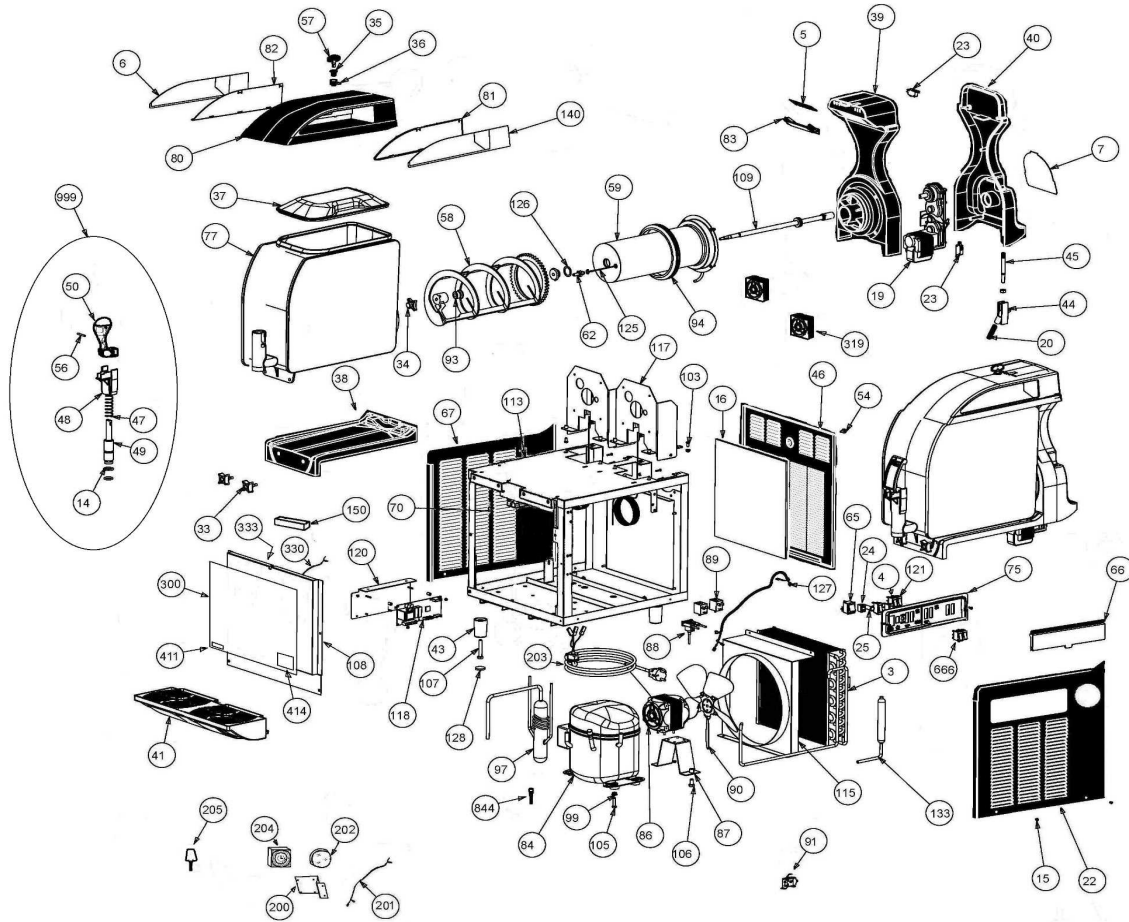


# 560533-560535-562497

I-PRO2M 115/60 WITH TIMER AND LED PANEL



Position #	Part #	DESCRIPTION
0	03.IP0002.001	I-PRO 2 SIDE PANELS PROTECTION
0	03.IP0004.001	I-PRO 2 PACKAGING
0	03.IP0005.001	I-PRO 2 BOWL PROTECTION
0	03.IP0008.001	I-PRO 2 PALLET
0	04.IP0114.001	RED SILICONE O-RING
0	04.ZZ0597.001	LUBRICANT TUBE
0	03.BC0005.001	PLASTIC BAG
3	04.IP0026.001	CONDENSER
4	04.BA0024.001	LID SWITCH
5	04.IP0006.002	I-PRO LED LAMP WITH WIRING
14	04.BA0026.TPS	15,47X3,53 SILICONE O-RING
15	ZZ.VI0005.001	3,5X6,5 SCREW
16	04.EB0014.001	CONDENSER FILTER
19	05.BA0201/D60	GEAR MOTOR H40 115/60 D COMPL.
20	04.IP0101.001	CONSISTENCY SPRING
22	02.IP0071.02N	IPROM BLACK RIGHT PANEL WITH TIMER
23	04.BA0257.001	SAFETY MICRO SWITCH
24	04.AB0049.001	SWITCH
25	04.CA0014/110	CUT-OUT RED LAMP
33	02.IP0084.02N	BLACK FIXING KNOB
34	02.BA0034.001	AUGER FIXING KNOB
35	02.GT0024.001	SECURITY SYSTEM BODY
36	02.GT0025.001	SECURITY LEVER

37	02.IP0017.001	I-PRO TRANSPARENT COVER
38	02.IP0022.01N	I-PRO BLACK DRIP PLATE
39	02.IP0020.01N	I-PRO BLACK EVAPORATOR SUPPORT
40	02.IP0021.01N	I-PRO BLACK EVAPORATOR SUPPORT
41	02.IP0067.BLK	I-PRO BLACK DRIP TRAY
43	02.AA0024.001	FOOT
44	04.IP0027.001	COMPLETE SPRING HOLDER
45	04.IP0049.001	CONSISTENCY ADJUSTMENT SCREW
46	02.IP0074.02N	I-PRO 2 BLACK BACK PANEL WITH FILTER
47	04.BA0021.001	TAP SPRING
48	02.BA0002.01N	BLACK TAP LEVER SUPPORT
49	02.BA0004.001	BODY TAP
50	02.BB0101.001	TAP HANDLE WITH HOLE
54	04.BP0026.001	BACK SIDE PANEL KNOB
56	ZZ.VA0004.001	INOX PLUG 4X30
57	02.BA0061.001	LOCKABLE LID KEY
58	02.BA0266.001	SCRAPING SPIRAL
59	02.IP0035.002	I-PRO 3 COMPLETE EVAPORATOR
65	04.BB0061.001	BLACK MAIN SWITCH
66	04.IP0033.001	COVER FOR SWITCH HOLDER
67	02.IP0003.02N	I-PRO BLACK LEFT SIDE PANEL
70	04.ZZ0119.001	BLACK FOOT
77	02.IP0016.002	I-PRO COMPLETE BOWL
80	02.IP0018.01N	I-PRO BLACK SECURITY COVER
81	02.IP0023.001	MERCHANDISING HOLDER, RIGHT
82	02.IP0024.001	MERCHANDISING HOLDER, LEFT
83	02.IP0025.001	I-PRO LED HOLDER
84	04.BC0071/110	NT2178GKV 115/60 COMPRESSOR
86	04.BC0002/110	FAN MOTOR 25 WATT 110/60
87	02.BC0253.001	FAN SUPPORT
88	04.BB0082/110	2 BARREL 115/60 COMPLETE ELECTRO-
90	04.BC0003.001	FAN
91	04.BC0050.001	CUT-OUT PRESSURE SWITCH
92	05.BA0100.002	HARD BUSHING WITH SEALING RING
93	02.BA0292.001	NEW SUCTION GASKET
94	02.BA0009.001	REAR BOWL GASKET
97	02.BB0202.001	SUCTION ACCUMULATOR
99	ZZ.R00004.001	WASHER
105	ZZ.VI0037.001	SCREW
106	ZZ.VI0066.001	SCREW
107	ZZ.VI0002.001	8x45 SCREW
108	02.IP0091.001	I-PRO 2 PLASTIC FRONT PANEL
109	05.IP0006.002	COMPLETE SHAFT DRIVE
113	02.IP0010.002	I-PRO2 FRAME
115	02.IP0119.001	CONVEYOR
117	02.IP0030.001	EVAPORATOR SUPPORT
118	04.IP0065.001	VALVE AND COMPRESSOR TIMER
120	04.IP0034.001	I PRO TIMER SUPPORT
121	04.BA0170.001	3 POSITIONS SWITCH
125	02.IP0086.001	NTC 10K PROBE COMPLETE
126	02.GC0019.001	RULON BUSHING GASKET
127	08.IP0017/115	WIRING
128	04.ZZ0023.001	PADDING FEET
133	04.ZZ0307.001	FILTER
150	04.IP0035.002	POWER FEEDER
200	02.IP0070.001	TIMER SUPPORT
201	08.IP0019.001	TIMER WIRING
202	04.IP0103.001	GLASS
203	04.ZZ0596.001	15AMP ETL CABLE
204	04.IP0102.001	TIMER
205	04.EC0016.001	FUSE PLUG
300	04.IP0159.001	I-PRO2 LED PANEL STICKER
319	05.BA0022/110	GEARMOTOR FAN
330	08.IP0021.002	I-PRO2M LED PANEL HARNESS
333	02.IP0093.001	WHITE CARTER FOR I-PRO 2 FRONTAL
414	04.GC0227.001	CRATHCO STICKER
844	04.ZZ0003.001	COMPRESSOR CHARGING VALVE